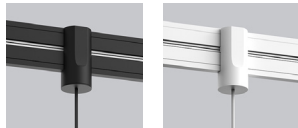


MUTE 4258-16 FOR ARENA 82X0

| |
|----------------|
| PROJECT PROJÉT |
| SPEC TYPE |
| NOTES |



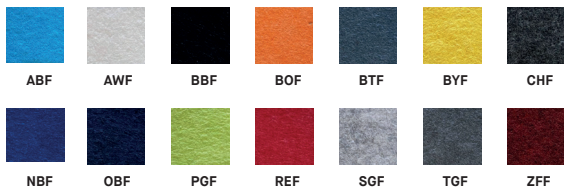
ADAPTER FINISH FINI DE L'ADAPTATEUR



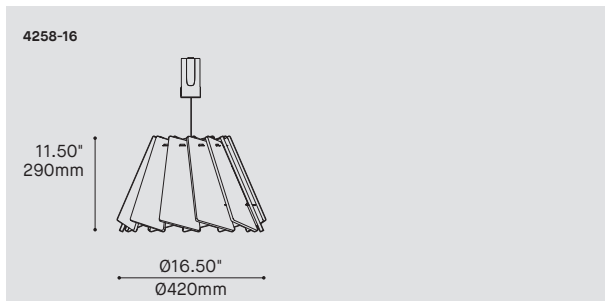
BLKE

WHE

SHADE FINISH FINI ABAT-JOUR



ADDITIONAL PREMIUM COLORS AVAILABLE - SEE ACOUSTIC MATERIAL COLOR OPTIONS PAGE



| ORDERING SPECIFICATION | SPÉCIFICATION DE COMMANDE | CODE |
|---|--|-------------|
| MODEL MODÈLE | 4258-16 MUTE 16" | 4258-16 |
| LIGHT SOURCE SOURCE LUMINEUSE | LEDA SPECIAL OUTPUT FOR ARENA, 11W * TOTAL DC LOAD OF INSTALLED LIGHT SOURCES MUST NOT EXCEED 90W OR 180W DEPENDING ON THE SELECTED OPTION | LEDA |
| COLOR TEMPERATURE TEMPÉRATURE DE COULEUR | 27* 2700K 30 3000K 35 3500K 40 4000K *LONGER LEAD TIME MAY APPLY, PLEASE CONTACT YOUR EUREKA REPRESENTATIVE | |
| COLOR RENDERING INDEX INDICE DE RENDU DE COULEUR (IRC) | 80 80+ CRI 90* 90+ CRI *LONGER LEAD TIME MAY APPLY, PLEASE CONTACT YOUR EUREKA REPRESENTATIVE | |
| CABLE LENGTH LONGUEUR DE CÂBLE | 24 24" CABLE (STD LENGTH) ** CUSTOM CABLE LENGTH (PLEASE SPECIFY) | |
| MOUNTING MONTAGE | TAA ARENA ADAPTOR FOR ARENA SQUARE & RECTANGLE 8220 & ARENA STRAIGHT 8210 TAB ARENA ADAPTOR FOR ARENA RING 8200 | |
| ADAPTER FINISH FINI ADAPTATEUR | BLKE BLACK FINE TEXTURED WHE WHITE FINE TEXTURED | |
| POWER CORD FINISH FINI ADAPTATEUR | BLK BLACK POWER CORD WH WHITE POWER CORD | |
| SHADE FINISH FINI ABAT-JOUR | ABF AZURE BLUE FELT BYF BANANA YELLOW FELT REF RED FELT AWF ARCTIC WHITE FELT CHF CHARCOAL FELT SGF SILVER GRAY FELT BBF BASIC BLACK FELT NBF NAVY BLUE FELT TGF TITANIUM GRAY FELT BOF BLOOD ORANGE FELT OBF OCEAN BLUE FELT ZFF ZINFANDEL FELT BTF BATTLESHIP GRAY FELT PGF PEARL GREEN FELT PREMIUM* PLEASE SPECIFY PREMIUM COLOR CODE - SEE ACOUSTIC MATERIAL COLOR OPTIONS PAGE *LONGER LEAD TIME MAY APPLY, PLEASE CONTACT YOUR EUREKA REPRESENTATIVE | |
| DIFFUSER FINISH FINI DIFFUSEUR | WH WHITE | WH |

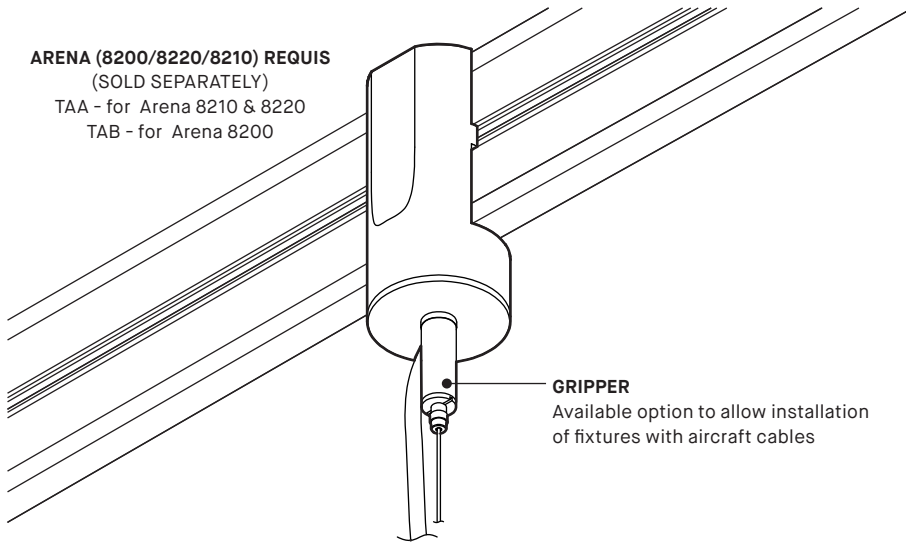
PRODUCT CHARACTERISTICS CARACTÉRISTIQUES DU PRODUIT



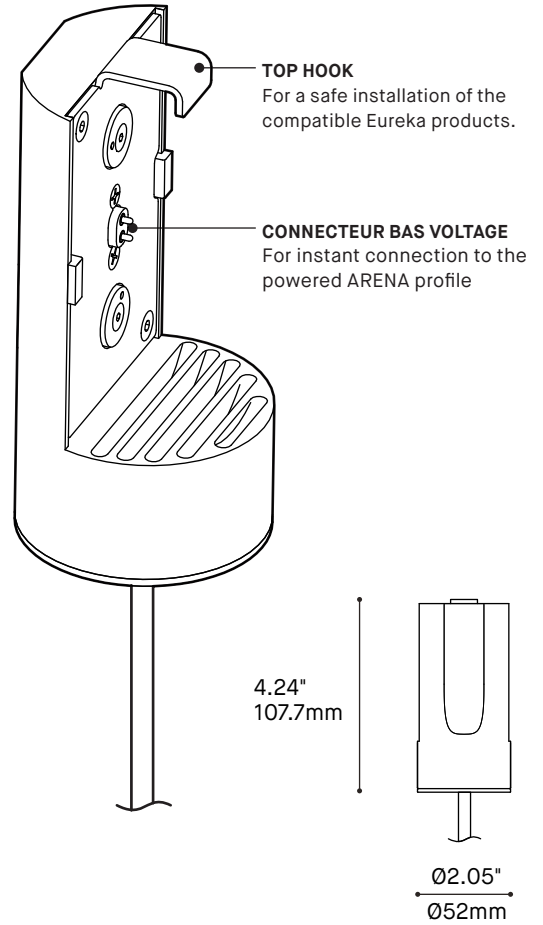
- DESIGN:** Mute is a soft, colorful and sound absorbing downlight pendant composed of twelve felt acoustic panels surrounding a custom LED light source. Precision cut chrome top cover plate. The custom CNC cut felt panels are made from recycled PET bottles and are recyclable. Available in 30 colors.
- INSTALLATION:** Magnetically positioned anywhere on the ARENA for easy on-site installation or reconfiguration of the lighting environment. The adapter has a hook for extra safety. Clip-on acoustic panels.
- LIGHT SOURCE:** Custom LED light source distributing a uniform and direct light.
- ADAPTER:** Custom designed aluminum base offered in white or black architectural grade finish.
- CERTIFIED:** c-CSA-us
- CONCEPTION:** Ce luminaire chaleureux et coloré est composé de douze panneaux acoustiques feutrés encerclant une source DEL. Plaque chromée découpée avec précision
- INSTALLATION:** Positionné magnétiquement n'importe où sur l'ARENA pour faciliter l'installation ou la reconfiguration de l'éclairage sur site. L'adaptateur est muni d'un crochet pour une double sécurité. Panneaux acoustiques se fixant rapidement et sans outils autour du noyau central.
- SOURCE LUMINEUSE:** Mute est composée d'un module lumineux DEL fait sur mesure.
- ADAPTATEUR:** Base en aluminium conçu sur mesure offert avec une finition noire ou blanche de grade architectural.
- CERTIFIÉ:** c-CSA-us

ARENA - ADAPTER TAA / TAB

ARENA (8200/8220/8210) REQUIS
(SOLD SEPARATELY)
TAA - for Arena 8210 & 8220
TAB - for Arena 8200



GRIPPER
Available option to allow installation of fixtures with aircraft cables

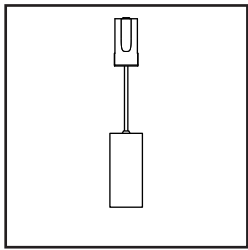


TOP HOOK
For a safe installation of the compatible Eureka products.

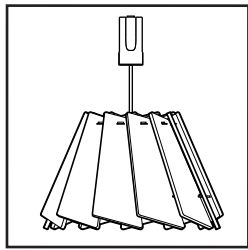
CONNECTEUR BAS VOLTAGE
For instant connection to the powered ARENA profile

4.24"
107.7mm

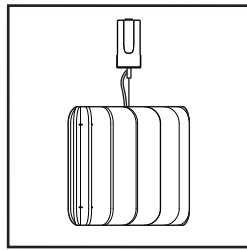
Ø2.05"
Ø52mm



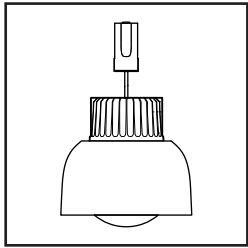
SCOUT



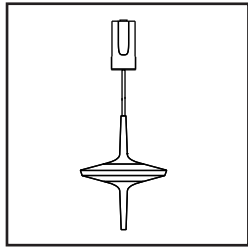
MINI MUTE



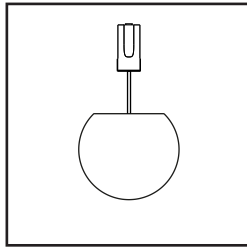
MILL 14"



BLOOM



CELESTE



MIKA 8"

EVEN MORE POSSIBILITIES

This adapter allows multiple Eureka luminaires to be magnetically positioned anywhere on all ARENA structures. For easy installation or on-site reconfiguration of the lighting environment. Cable length is not field adjustable and must be specified to desired length.

PRODUCT SPECIFICATIONS

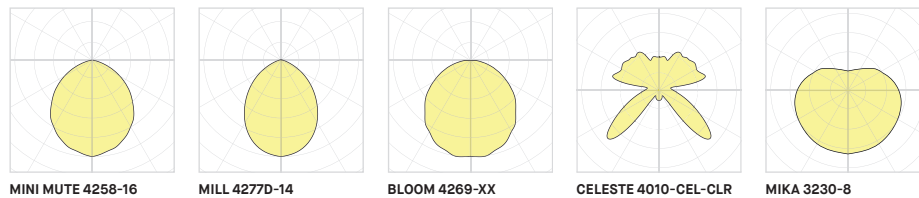
SCOUT 4048/4049-XX MINI MUTE 4258-16 MILL 4277D-14 BLOOM 4269-XX CELESTE 4010-CEL1 MIKA 3230-8

| PERFORMANCE | | | | | | |
|--|------------------------|--------------------|-------------------|-----------------------|----------------|----------------|
| SYSTEM WATTAGE | 8 W DC | 11 W DC | 8 W DC | 8 W DC | 4 W DC | 8 W DC |
| DELIVERED LUMENS (4000K) | 855 LM | 707 LM | 593 LM | 605 TO 797 LM | 145 LM | 806 LM |
| EFFICACY | 111 LM/W | 64.8 LM/W | 77 LM/W | 78.5 TO 103.5 LM/W | 34 LM/W | 104.5 LM/W |
| OTHER INFORMATION | | | | | | |
| WEIGHT | MAX 6.05 LBS / 2.65 KG | 5.83 LBS / 2.65 KG | 11.3 LBS / 4.9 KG | MAX 9.75 LBS / 4.43KG | 2.2 LBS / 1 KG | 2.2 LBS / 1 KG |
| L70 (LUMEN MAINTENANCE) | 63,000 HRS | 60,000 HRS | 63,600 HRS | 55,000 HRS | 60,000 HRS | 55,000 HRS |
| WELL & LEED STANDARD REQUIREMENTS (SEE SPECIFIC PRODUCT SPEC SHEET) | | | | | | |

EFFICACY MULTIPLIERS

| CRI | CCT | FACTOR |
|-----|-------|--------|
| 80+ | 4000K | 1.00 |
| 80+ | 3500K | 0.98 |
| 80+ | 3000K | 0.94 |
| 80+ | 2700K | 0.91 |
| 90+ | 4000K | 0.88 |
| 90+ | 3500K | 0.85 |
| 90+ | 3000K | 0.81 |
| 90+ | 2700K | 0.77 |

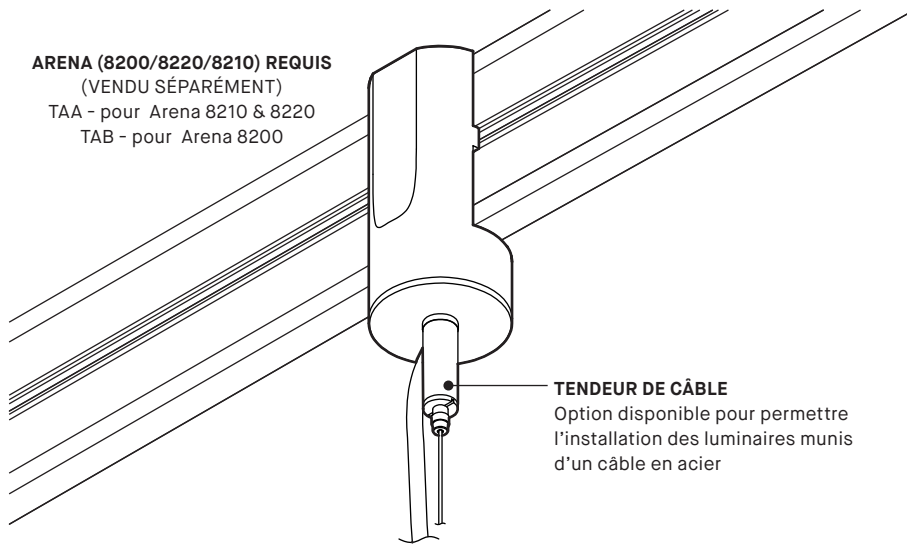
LIGHT DISTRIBUTIONAV



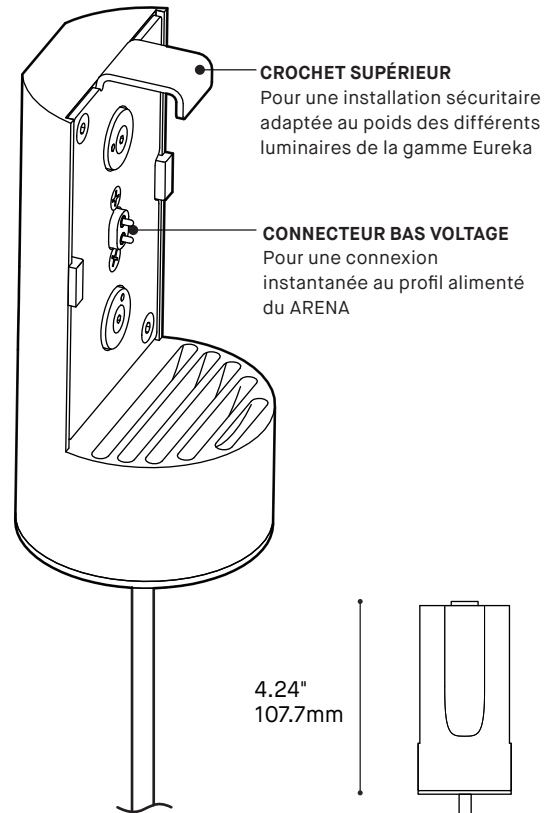
Visit our website for warranty terms and conditions.

ARENA - ADAPTATEUR TAA / TAB

ARENA (8200/8220/8210) REQUIS
(VENDU SÉPARÉMENT)
TAA - pour Arena 8210 & 8220
TAB - pour Arena 8200



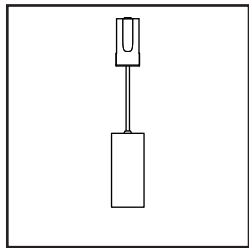
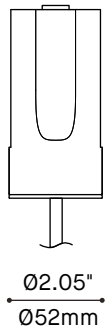
TENDEUR DE CÂBLE
Option disponible pour permettre l'installation des luminaires munis d'un câble en acier



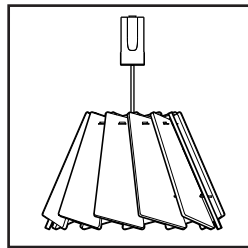
CROCHET SUPÉRIEUR
Pour une installation sécuritaire adaptée au poids des différents luminaires de la gamme Eureka

CONNECTEUR BAS VOLTAGE
Pour une connexion instantanée au profil alimenté du ARENA

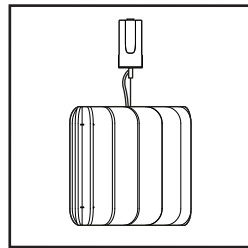
4.24"
107.7mm



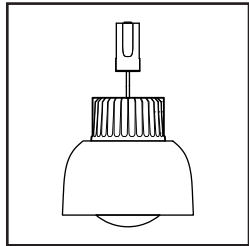
SCOUT



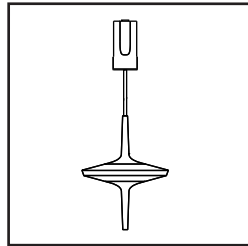
MINI MUTE



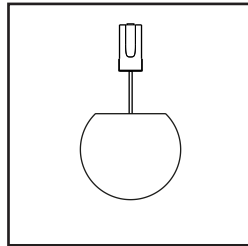
MILL 14"



BLOOM



CELESTE



MIKA 8"

ENCORE PLUS DE POSSIBILITÉS

Grâce à cet adaptateur, de nombreux luminaires Eureka peuvent être positionnés magnétiquement n'importe où sur les différentes structures ARENA.

Pour une installation facile ou une reconfiguration de l'éclairage sur site.

La longueur du câble n'est pas ajustable, la longueur souhaitée doit être spécifiée.

SPÉCIFICATION SPRODUIT

SCOUT 4048/4049-XX MINI MUTE 4258-16 MILL 4277D-14 BLOOM 4269-XX CELESTE 4010-CEL1 MIKA 3230-8

PERFORMANCE

| PERFORMANCE | SCOUT 4048/4049-XX | MINI MUTE 4258-16 | MILL 4277D-14 | BLOOM 4269-XX | CELESTE 4010-CEL1 | MIKA 3230-8 |
|----------------------|--------------------|-------------------|---------------|--------------------|-------------------|-------------|
| PUISSANCE TOTALE | 8 W DC | 11 W DC | 8 W DC | 8 W DC | 4 W DC | 8 W DC |
| LUMENS RÉELS (4000K) | 855 LM | 707 LM | 593 LM | 605 TO 797 LM | 145 LM | 806 LM |
| EFFICACITÉ | 111 LM/W | 64.8 LM/W | 77 LM/W | 78.5 TO 103.5 LM/W | 34 LM/W | 104.5 LM/W |

AUTRES INFORMATIONS

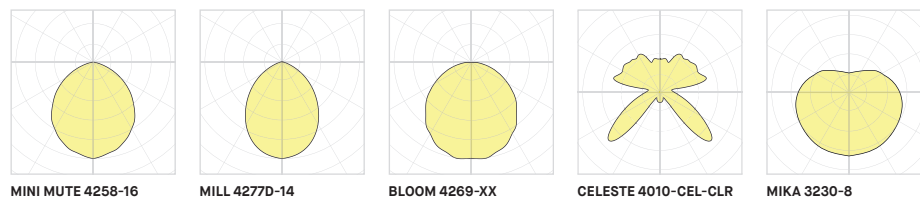
| AUTRES INFORMATIONS | SCOUT 4048/4049-XX | MINI MUTE 4258-16 | MILL 4277D-14 | BLOOM 4269-XX | CELESTE 4010-CEL1 | MIKA 3230-8 |
|-------------------------|------------------------|--------------------|-------------------|-----------------------|-------------------|----------------|
| POIDS | MAX 6.05 LBS / 2.65 KG | 5.83 LBS / 2.65 KG | 11.3 LBS / 4.9 KG | MAX 9.75 LBS / 4.43KG | 2.2 LBS / 1 KG | 2.2 LBS / 1 KG |
| L70 (LUMEN MAINTENANCE) | 63,000 HRS | 60,000 HRS | 63,600 HRS | 55,000 HRS | 60,000 HRS | 55,000 HRS |

CRITÈRES DE CERTIFICATION WELL & LEED (VOIR FICHE TECHNIQUE DU PRODUIT)

FACTEUR D'EFFICACITÉ

| IRC | CCT | FACTEUR |
|-----|-------|---------|
| 80+ | 4000K | 1.00 |
| 80+ | 3500K | 0.98 |
| 80+ | 3000K | 0.94 |
| 80+ | 2700K | 0.91 |
| 90+ | 4000K | 0.88 |
| 90+ | 3500K | 0.85 |
| 90+ | 3000K | 0.81 |
| 90+ | 2700K | 0.77 |

DISTRIBUTION LUMINEUSE



MINI MUTE 4258-16

MILL 4277D-14

BLOOM 4269-XX

CELESTE 4010-CEL-CLR

MIKA 3230-8



Visitez notre site Web pour les termes et conditions.



DONNÉES TECHNIQUES

Acoustic Material Color Options for Arena

Standard colors



ABF
Azure Blue



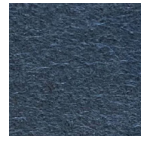
AWF
Arctic White



BBF
Basic Black



BOF
Blood Orange



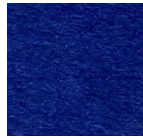
BTF
Battleship Gray



BYF
Banana Yellow



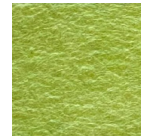
CHF
Charcoal



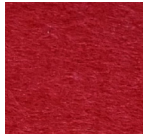
NBF
Navy Blue



OBF
Ocean Blue



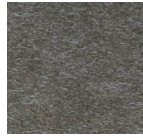
PGF
Pear Green



REF
Red



SGF
Silver Gray



TGF
Titanium Gray



ZFF
Zinfandel

Premium colors



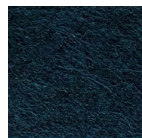
BGF
Bubble Gum



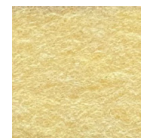
BKF
Bark Brown



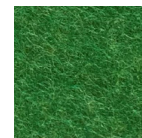
DBF
Denim Blue



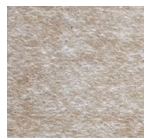
DTF
Deep Teal Green



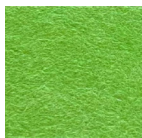
DYF
Daisy Yellow



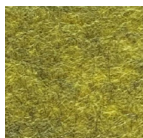
GGF
Grass Green



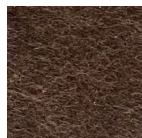
LBF
Light Beige



LGF
Lime Green



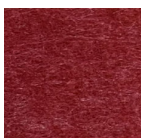
MGF
Moss Green



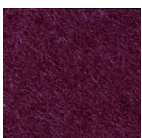
OAF
Oak Brown



PBF
Peanut Brown



PNF
Pinot Noir



PPF
Plum Purple



SBF
Sky Blue



TOF
Tangerine Orange


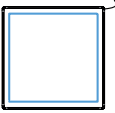
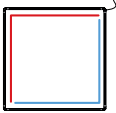
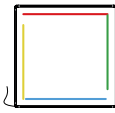






TPF
Tulip Purple

- Premium colors carry extended lead times. Additional fees may apply for expedited lead times. Please consult factory.
- Due to the dye process, colors may vary slightly from batch to batch.

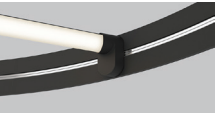
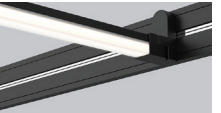
Arena Mapping

MIXING LIGHT SOURCES IS POSSIBLE AND RECOMMENDED. TO HELP YOU DO SO, SUBSTRACT THE DC LOAD OF EACH LIGHT SOURCE FROM THE MAXIMUM DC LOAD OF ARENA.
DO NOT EXCEED MAXIMUM WEIGHT PER SIDE

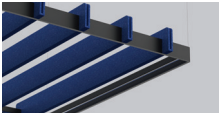
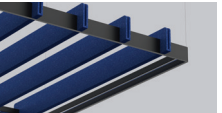
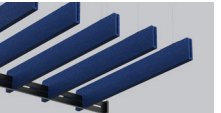
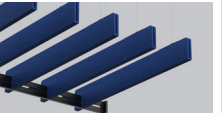
| | | | | | | |
|--|---|---|--|---|---|---|
| LUMINAIRE | FRAME CONFIGURATION *REFER TO 2D DRAWINGS FOR EACH SIZE. | ARENA RING | ARENA SQUARE & RECTANGLE | | | |
| | | 8200-36 8200-54 | 8220-36X36 8220-36X54 | 8220-54X54 8220-36X96 8220-54X96 8220-96X96 | 8220-36X190 8220-54X190 8220-96X190 8220-190X190 | 8220-36X380 8220-54X380 8220-96X380 8220-190X380 8220-380X380 |
| |  |  |  |  |  | |
| | MAXIMUM TOTAL DC LOAD OF ACCESSORY | 90W DC | 90W DC | 180W (90W DC PER 2 SIDES) | 360W (90W DC PER SIDES) | 540W, 720W (90W DC PER SECTION) |
| MAXIMUM TOTAL WEIGHT OF ACCESSORY | 25 LBS | 25 LBS / SIDE | 25 LBS / SIDE | 25 LBS / SECTION | 25 LBS / SECTION | |

| | | | | |
|--|---|--|---|--|
| LUMINAIRE | FRAME CONFIGURATION *REFER TO 2D DRAWINGS FOR EACH SIZE. | ARENA STRAIGHT | | |
| | | 8210-36 (1 SECTION) 8210-54 (1 SECTION) 8210-70 (2 SECTIONS) | 8210-96 (1 SECTION) 8210-158 (3 SECTIONS) 8210-190 (2 SECTIONS) | 8210-284 (3 SECTIONS) 8210-380 (4 SECTIONS) |
| |  |  |  | |
| | MAXIMUM TOTAL DC LOAD OF ACCESSORY | 90W (90W DC FOR BOTH SIDES) | 180W (90W DC PER SECTION) | 360W DC (90W DC PER SECTION) |
| MAXIMUM TOTAL WEIGHT OF ACCESSORY | 25 LBS / SECTION | 25 LBS / SECTION | 25 LBS / SECTION | |

| | | | | | | |
|-------------------------|----------------------|--|--|---|--|--|
| ACCESSORIES HEAD | LIGHT SOURCES | BEAM 8290 | GLOW 8291 | AIM 8292 | CONE 8294 | BALL 8295 |
| | |  |  |  |  |  |
| | DC LOAD | 8W DC | 8W DC | 8W DC | 11W DC | 8W DC |
| | WEIGHT LBS | 0.62 LBS | 0.70 LBS | 0.61 LBS | 0.88 LBS | 0.48 LBS |

| | | | | | |
|--------------------------|---|--|---|---|---------------|
| ACCESSORIES SLICE | LIGHT SOURCES | SLICE-ROUND 8293 (ONLY FOR 8200) | | SLICE-SQUARE 8296 | |
| | | 8293-36 | 8293-54 | 8296-36 | 8296-54 |
| |  |  |  |  | |
| | DC LOAD | 8W DC | 11W DC | 8W DC | 11W DC |
| WEIGHT LBS | 1.24 LBS | 1.65 LBS | 2.22 LBS | 3.50 LBS | |

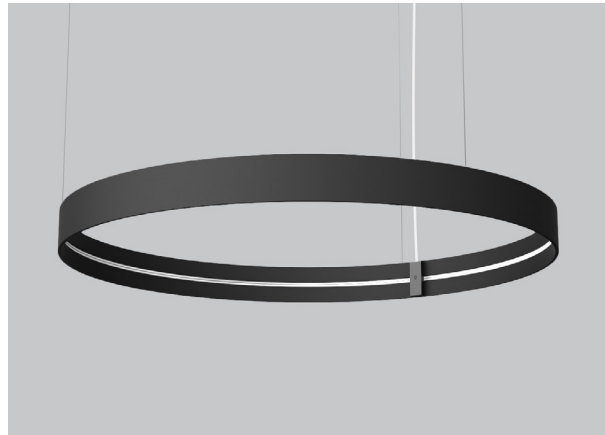
| | | | | | | | | |
|----------------------------|----------------------|---|---|---|--|---|---|---|
| ACCESSORIES ADAPTER | LIGHT SOURCES | MILL 14" 4277D-14 | SCOUT 02.75" 4048-XX | SCOUT 04" 4049-XX | MIKA 8" 4230-8 | BLOOM 4269-XX | MINI MUTE 4258-16 | CELESTE 4010-CEL1 |
| | |  |  |  |  |  |  |  |
| | DC LOAD | 8W DC | 8W DC | 8W DC | 8W DC | 8W DC | 11W DC | 4W DC |
| | WEIGHT LBS | 11.3 LBS | MAX 4.32 LBS | MAX 6.05 LBS | 2.40 LBS | MAX 9.75 LBS | 5.83 LBS | 2.20 LBS |

| | | | | | |
|------------------------------------|---|--|---|---|-------------------------|
| ACCESSORIES ACOUSTIC | ACOUSTIC CONFIGURATION | ACOUSTIC BAFFLE FOR ARENA SQUARE | | ACOUSTIC BAFFLE FOR ARENA STRAIGHT | |
| | | 8297-40 | 8297-58 | 8298-40 | 8298-58 |
| |  |  |  |  | |
| | WEIGHT LBS | 1.38 LBS / PANEL | 1.63 LBS / PANEL | 1.38 LBS / PANEL | 1.63 LBS / PANEL |
| CONFIGURATION USE FOR ARENA | 8220-36X36 8220-36X54 8220-36X96 | 8220-54X54 8220-36X54 8220-54X96 | 8210-XX 8220-XX | 8210-XX 8220-XX | |

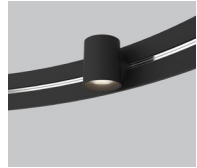
*WE RESERVE THE RIGHT TO MODIFY ANY INFORMATION AT ANY TIME.

ARENA 8200

| |
|----------------|
| PROJECT PROJÉT |
| SPEC TYPE |
| NOTES |



FAMILY FAMILLE



ARENA - BEAM 8290



ARENA - GLOW 8291

FINISH FINI



BLKE



ARENA - SLICE 8293

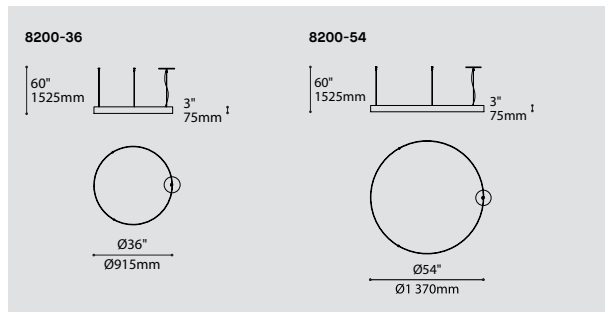
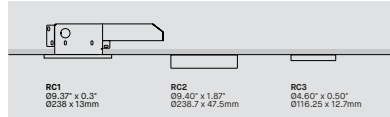


ARENA - AIM 8292



WHE

MOUNTING OPTIONS OPTIONS DE MONTAGE



ORDERING SPECIFICATION SPÉCIFICATION DE COMMANDE

CODE

MODEL MODÈLE

8200-36 ARENA 36"
 8200-54 ARENA 54"

MAXIMUM DC LOAD PUISSANCE MAXIMALE DC

90W 90 WATT DC
 TOTAL DC LOAD OF INSTALLED LIGHT SOURCES MUST NOT EXCEED 90W. (see mapping page)

| RING ARENA 8200-36 & 8200-54 | LIGHT SOURCES | | | | |
|------------------------------------|---------------|--------------|-------------|---------------------|---------------------|
| | BEAM 8290 | GLOW 8291 | AIM 8292 | SLICE RD 8293-36 | SLICE RD 8293-54 |
| | | | | | |
| MAXIMUM DC LOAD 90W | 8W DC | 8W DC | 8W DC | 8W DC | 11W DC |

VOLTAGE VOLTAGE

120V 120 VOLT
 277V 277 VOLT

CONTROL OPTION OPTION DE CONTRÔLE

DV 0-10V DIMMING (120V-277V)
 NLTAIR2* NLIGHT AIR CONTROL GEN 2 (NOT AVAILABLE WITH MOUNTING OPTION RC3)
 NLIGHT* NLIGHT WIRED CONTROL (NOT AVAILABLE WITH MOUNTING OPTION RC3)
 LED DIMMING DRIVER IS STANDARD IN THIS PRODUCT
 *NLIGHT INTEGRATION REQUIRES A REMOTE POWER PACK (39NLAA & 39NLWA AS BELOW FOR NLIGHT).
 REFER TO NLIGHT GUIDE AND INSTALLATION SHEET FOR ALL REQUIREMENTS.

DRIVER POSITION POSITION DE L'ALIMENTATION

RDP * RECESSED DRIVER
 * 3981C IS REQUIRED

CABLE CÂBLE

AC AIRCRAFT MOUNTING & CLEAR CABLE, FIELD ADJUSTABLE

CABLE LENGTH LONGUEUR DE CÂBLE

60 60" AIRCRAFT CABLE (STD LENGTH)
 ** CUSTOM AIRCRAFT CABLE LENGTH (PLEASE SPECIFY)
 FOR OVERALL LENGTH, PLEASE CONTACT YOUR EUREKA REPRESENTATIVE.

MOUNTING MONTAGE

RC1 ROUND CANOPY ON JBOX FOR RECESSED DRIVERS 0.5" (2475C)
 RC2 ROUND SURFACE SCREWLESS CANOPY 1.87" (2475I)
 RC3 ROUND SURFACE SCREWLESS CANOPY 0.50" FOR REMOTE DRIVER BOX 12"X16" (2471C)
 * PAIR WITH ACCESSORY 3981GA

MOUNTING CABLE OPTION OPTION DE MONTAGE DE CÂBLE

IF NO OPTION IS SELECTED, AN OFF-CENTERED ROUND CANOPY WITH STRAIGHT AIRCRAFT CABLES IS STANDARD
 RCC CENTERED ROUND CANOPY - STRAIGHT AIRCRAFT CABLES

CANOPY FINISH FINI PAVILLON

BLKE BLACK FINE TEXTURE
 WHE WHITE FINE TEXTURE

POWER CORD FINISH FINI CÂBLE D'ALIMENTATION

BLK BLACK POWER CORD
 WH WHITE POWER CORD
 CLR CLEAR POWER CORD

RING FINISH FINI DE L'ANNEAU

BLKE BLACK FINE TEXTURE
 WHE WHITE FINE TEXTURE

ACCESSORY ACCESSOIRE

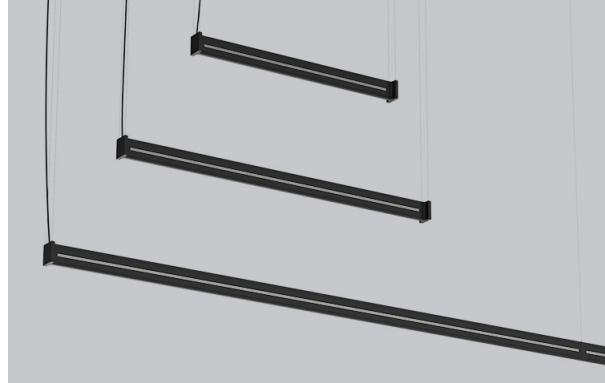
3981C JUNCTION BOX FOR RECESSED DRIVER OPTION SQ1 OR RC1
 3981GA REMOTE DRIVER BOX 12"X16" FOR MOUNTING RC3 FOR DC LOAD 90W
 39NLAA* NLIGHT AIR GEN 2 REMOTE CONTROLLER (NOT AVAILABLE WITH MOUNTING OPTION RC3)
 39NLWA* NLIGHT WIRED REMOTE CONTROLLER (NOT AVAILABLE WITH MOUNTING OPTION RC3)
 * FOR CHICAGO PLENUM INSTALLATION, PLEASE CONTACT YOUR EUREKA REPRESENTATIVE.



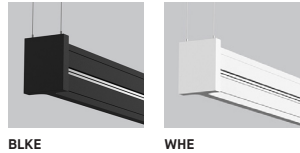
SPECIFICATION

ARENA STRAIGHT 8210

| |
|----------------|
| PROJECT PROJÉT |
| SPEC TYPE |
| NOTES |



FINISH FINI



BLKE

WHE

FAMILY FAMILLE

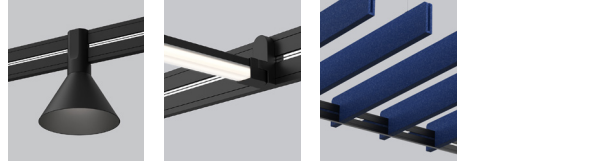


ARENA - BEAM 8290

ARENA - GLOW 8291

ARENA - AIM 8292

ARENA - BALL 8295

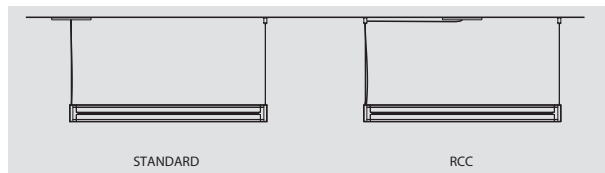


ARENA - CONE 8294

ARENA - SLICE SQ 8296

ARENA - ACOUSTIC 8298

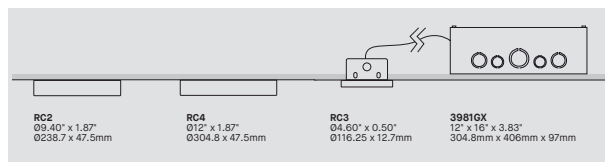
MOUNTING CABLE OPTION OPTION DE MONTAGE DE CÂBLE



STANDARD

RCC

MOUNTING OPTION OPTION DE MONTAGE



RC2
09.40" x 1.87"
0238.7 x 47.5mm

RC4
012" x 1.87"
0304.8 x 47.5mm

RC3
04.60" x 0.50"
0116.25 x 12.7mm

3981GX
12" x 10" x 3.83"
304.8mm x 406mm x 97mm

ORDERING SPECIFICATION SPÉCIFICATION DE COMMANDE

CODE

STANDARD MODEL MODÈLE STANDARD

| | |
|----------|---|
| 8210-36 | ARENA STRAIGHT 36" |
| 8210-54 | ARENA STRAIGHT 54" |
| 8210-70 | ARENA STRAIGHT 70" (2 SECTIONS CONNECTED WITH 1 JOINER) |
| 8210-96 | ARENA STRAIGHT 96" |
| 8210-158 | ARENA STRAIGHT 158" (3 SECTIONS CONNECTED WITH 2 JOINERS) |
| 8210-190 | ARENA STRAIGHT 190" (2 SECTIONS CONNECTED WITH 1 JOINER) |
| 8210-285 | ARENA STRAIGHT 285" (3 SECTIONS CONNECTED WITH 2 JOINERS) |
| 8210-380 | ARENA STRAIGHT 380" (4 SECTIONS CONNECTED WITH 3 JOINERS) |

FOR CUSTOM SIZES, PLEASE CONTACT YOUR EUREKA REPRESENTATIVE.

DC LOAD PUISSANCE MAXIMALE DC

| | |
|------|--|
| 90W | 1X 90 WATT (AVAILABLE FROM 36" TO 96") |
| 180W | 2X 90 WATT (AVAILABLE FROM 36" TO 190") |
| 360W | 4X 90 WATT (ONLY AVAILABLE FOR 285" TO 380") |

| ARENA STRAIGHT 8210 | LIGHT SOURCES | | | | | | | ADAPTER TAA |
|---|---------------|--------------|-------------|---------------------|---------------------|--------------|--------------|-------------------|
| | BEAM 8290 | GLOW 8291 | AIM 8292 | SLICE-SQ 8296-36 | SLICE-SQ 8296-54 | BALL 8295 | CONE 8294 | |
| | | | | | | | | |
| MAXIMUM DC LOAD 90W, 180W, 360W | 8W DC | 8W DC | 8W DC | 8W DC | 11W DC | 8W DC | 11W DC | SEE SPEC SHEET |
| MAXIMUM TOTAL WEIGHT PER SECTION 25 LBS | 0.62 LBS | 0.70 LBS | 0.61 LBS | 2.22 LBS | 3.50 LBS | 0.48 LBS | 0.88 LBS | |

VOLTAGE VOLTAGE

| | |
|------|----------|
| 120V | 120 VOLT |
| 277V | 277 VOLT |

CONTROL OPTIONS OPTION DE CONTRÔLE

| | |
|----------|--|
| DV | 0-10V DIMMING (120V-277V) |
| NLTAIR2* | NLIGHT AIR CONTROL GEN2 (NOT AVAILABLE WITH MOUNTING OPTION RC3) |
| NLIGHT* | NLIGHT WIRED CONTROL (NOT AVAILABLE WITH MOUNTING OPTION RC3) |

LED DIMMING DRIVER IS STANDARD IN THIS PRODUCT
*NLIGHT INTEGRATION REQUIRES A REMOTE POWER PACK (39NLAA & 39NLWA AS BELOW FOR NLIGHT). REFER TO NLIGHT GUIDE AND INSTALLATION SHEET FOR ALL REQUIREMENTS.

CABLE CÂBLE

| | |
|----|---|
| AC | AIRCRAFT CABLE & POWER CORD, FIELD ADJUSTABLE |
|----|---|

CABLE LENGTH LONGUEUR DE CÂBLE

| | |
|----|---|
| 60 | 60" AIRCRAFT CABLE (STD LENGTH) |
| ** | CUSTOM AIRCRAFT CABLE LENGTH (PLEASE SPECIFY) |

FOR OVERALL LENGTH, PLEASE CONTACT YOUR EUREKA REPRESENTATIVE.

MOUNTING MONTAGE

| | |
|-----|---|
| RC2 | ROUND SURFACE SCREWLESS CANOPY 9.4" FOR 90W ONLY (2475I) |
| RC3 | ROUND SURFACE SCREWLESS CANOPY 4.6" FOR REMOTE DRIVER BOX 12"X16" (2471C) (PAIR WITH ACCESSORY 3981GA OR 3981GB) |
| RC4 | ROUND SURFACE SCREWLESS CANOPY 12" FOR 180W OR 360W (2477I) |

MOUNTING CABLE OPTION OPTION DE MONTAGE DE CÂBLE

| | |
|-----|---|
| RCC | FLOATING CANOPY - STRAIGHT AIRCRAFT CABLES IF NO OPTION IS SELECTED, A CANOPY AT END OF THE FIXTURE WITH AIRCRAFT CABLES IS STANDARD |
|-----|---|

CANOPY & GRIPPERS FINISH FINI PAVILLON ET ATTACHES

| | |
|------|--------------------|
| BLKE | BLACK FINE TEXTURE |
| WHE | WHITE FINE TEXTURE |

POWER CORD FINISH FINI CÂBLE D'ALIMENTATION

| | |
|-----|------------------|
| BLK | BLACK POWER CORD |
| WH | WHITE POWER CORD |
| CLR | CLEAR POWER CORD |

FRAME FINISH FINI DU CADRE

| | |
|------|--------------------|
| BLKE | BLACK FINE TEXTURE |
| WHE | WHITE FINE TEXTURE |

ACCESSORY ACCESSOIRE

| | |
|---------|---|
| 3981GA | 1 REMOTE DRIVER BOX 12"X16" FOR MOUNTING RC3 FOR DC LOAD 90W |
| 3981GB | 1 REMOTE DRIVER BOX 12"X16" FOR MOUNTING RC3 FOR DC LOAD 180W |
| 3981GB2 | 2 REMOTE DRIVER BOXES 12"X16" FOR MOUNTING RC3 FOR DC LOAD 360W |
| 39NLAA* | NLIGHT AIR GEN 2 REMOTE CONTROLLER (NOT AVAILABLE WITH MOUNTING OPTION RC3) |
| 39NLWA* | NLIGHT WIRED REMOTE CONTROLLER (NOT AVAILABLE WITH MOUNTING OPTION RC3) |

* FOR CHICAGO PLENUM INSTALLATION, PLEASE CONTACT YOUR EUREKA REPRESENTATIVE

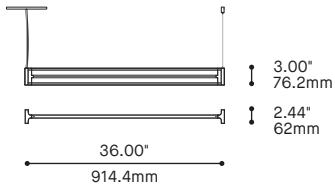


SPECIFICATION

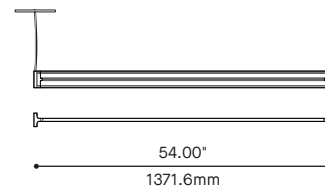
ARENA STRAIGHT 8210

CONFIGURATIONS

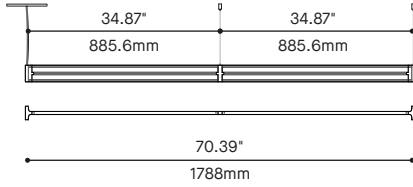
8210-36
ARENA STRAIGHT 36"



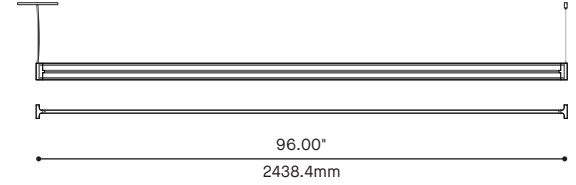
8210-54
ARENA STRAIGHT 54"



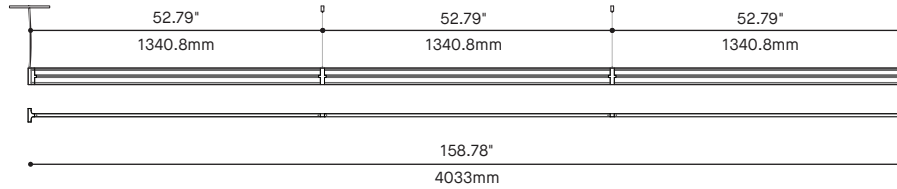
8210-70
ARENA STRAIGHT 70.4"



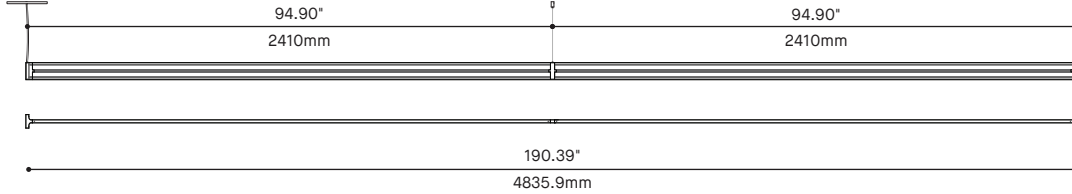
8210-96
ARENA STRAIGHT 96"



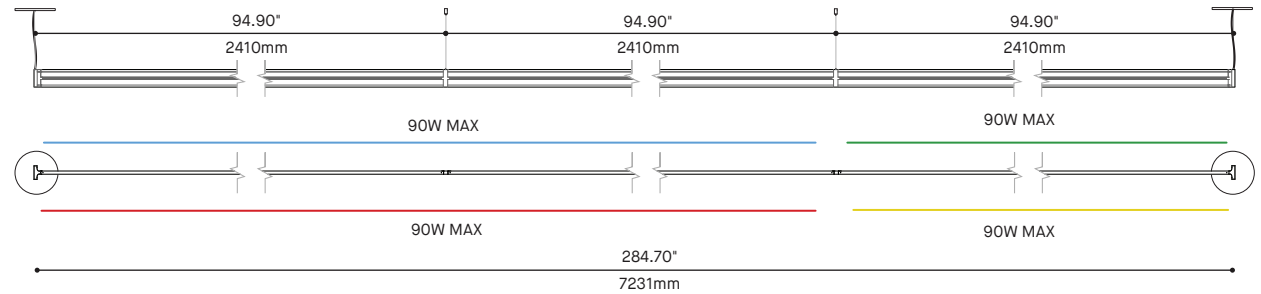
8210-158
ARENA STRAIGHT 158.78"



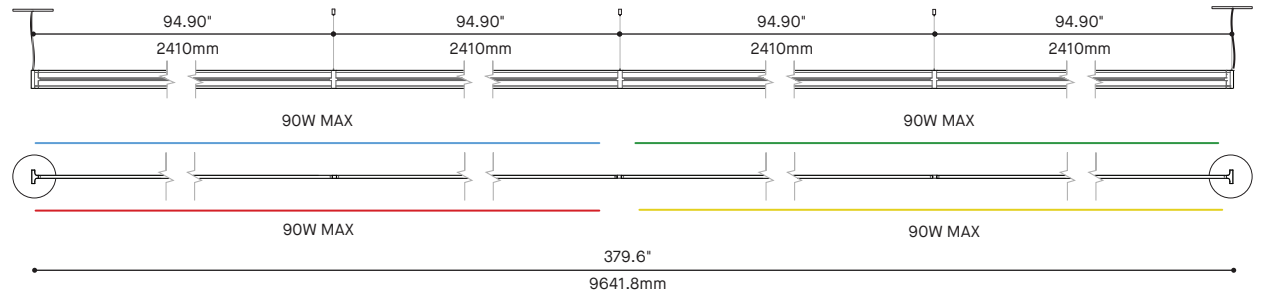
8210-190
ARENA STRAIGHT 190.39"



8210-284
ARENA STRAIGHT 284.7"

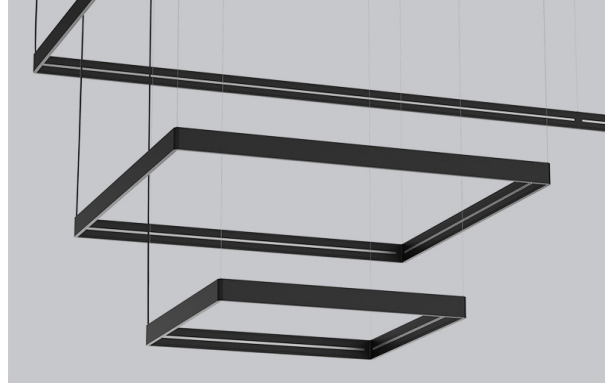


8210-380
ARENA STRAIGHT 379.6"

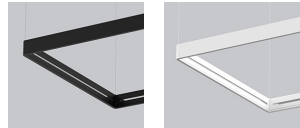


ARENA SQUARE & RECTANGLE 8220

| |
|----------------|
| PROJECT PROJÉT |
| SPEC TYPE |
| NOTES |



FINISH FINI



BLKE

WHE

FAMILY FAMILLE

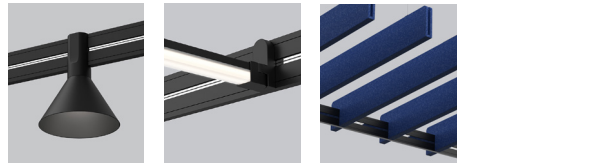


ARENA - BEAM 8290

ARENA - GLOW 8291

ARENA - AIM 8292

ARENA - BALL 8295

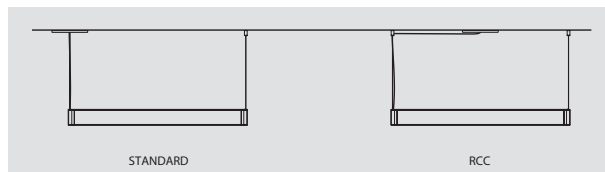


ARENA - CONE 8294

ARENA - SLICE SQ 8296

ARENA - ACOUSTIC 8298

MOUNTING CABLE OPTION OPTION DE MONTAGE DE CÂBLE



STANDARD

RCC

ORDERING SPECIFICATION SPÉCIFICATION DE COMMANDE

CODE

STANDARD MODEL MODÈLE STANDARD

| | | | |
|--------------|------------------------|--------------|--------------------------|
| 8220-36X36 | ARENA SQUARE 36X36" | 8220-36X190 | ARENA RECTANGLE 36X190" |
| 8220-54X54 | ARENA SQUARE 54X54" | 8220-54X190 | ARENA RECTANGLE 54X190" |
| 8220-96X96 | ARENA SQUARE 96X96" | 8220-96X190 | ARENA RECTANGLE 96X190" |
| 8220-190X190 | ARENA SQUARE 190X190" | 8220-36X380 | ARENA RECTANGLE 36X380" |
| 8220-380X380 | ARENA SQUARE 380X380" | 8220-54X380 | ARENA RECTANGLE 54X380" |
| 8220-36X54 | ARENA RECTANGLE 36X54" | 8220-96X380 | ARENA RECTANGLE 96X380" |
| 8220-36X96 | ARENA RECTANGLE 36X96" | 8220-190X380 | ARENA RECTANGLE 190X380" |
| 8220-54X96 | ARENA RECTANGLE 54X96" | | |

FOR CUSTOM SIZES, PLEASE CONTACT YOUR EUREKA REPRESENTATIVE.

DC LOAD PUISSANCE MAXIMALE DC

| | |
|------|-----------------------------|
| 90W | 1 CANOPY / 1 DRIVER OF 90W |
| 180W | 1 CANOPY / 2 DRIVERS OF 90W |
| 360W | 2 CANOPY / 4 DRIVERS OF 90W |
| 540W | 4 CANOPY / 6 DRIVERS OF 90W |
| 720W | 4 CANOPY / 8 DRIVERS OF 90W |

| 8220 | 36" | 54" | 96" | 190" | 380" |
|------|-----|------|------|------|------|
| 36" | 90W | | | | |
| 54" | | 180W | | | |
| 96" | | | 180W | 360W | 540W |
| 190" | | | | | |
| 380" | | | | | 720W |

| ARENA |
|--|
| SQUARE 8220 |
| |
| MAXIMUM DC LOAD SEE TABLE |
| MAXIMUM TOTAL WEIGHT PER SECTION 25 LBS |

| LIGHT SOURCES | | | | | | | |
|---------------|-----------|----------|------------------|------------------|-----------|-----------|----------------|
| BEAM 8290 | GLOW 8291 | AIM 8292 | SLICE-SQ 8296-36 | SLICE-SQ 8296-54 | BALL 8295 | CONE 8294 | ADAPTER TAA |
| | | | | | | | |
| 8W DC | 8W DC | 8W DC | 8W DC | 11W DC | 8W DC | 11W DC | SEE SPEC SHEET |
| 0.62 LBS | 0.70 LBS | 0.61 LBS | 2.22 LBS | 3.50 LBS | 0.48 LBS | 0.88 LBS | |

VOLTAGE VOLTAGE

| | |
|------|----------|
| 120V | 120 VOLT |
| 277V | 277 VOLT |

CONTROL OPTIONS OPTION DE CONTRÔLE

| | |
|----------|---|
| DV | 0-10V DIMMING (120V-277V) |
| NLTAIR2* | NLIGHT AIR CONTROL GEN2 (NOT AVAILABLE WITH MOUNTING OPTION RC3) |
| NLIGHT* | NLIGHT WIRED CONTROL (NOT AVAILABLE WITH MOUNTING OPTION RC3) LED DIMMING DRIVER IS STANDARD IN THIS PRODUCT *NLIGHT INTEGRATION REQUIRES A REMOTE POWER PACK (39NLAA & 39NLWA AS BELOW FOR NLIGHT). REFER TO NLIGHT GUIDE AND INSTALLATION SHEET FOR ALL REQUIREMENTS. |

CABLE CÂBLE

| | |
|----|---|
| AC | AIRCRAFT CABLE & POWER CORD, FIELD ADJUSTABLE |
|----|---|

AC

CABLE LENGTH LONGUEUR DE CÂBLE

| | |
|----|---|
| 60 | 60" AIRCRAFT CABLE (STD LENGTH) |
| ** | CUSTOM AIRCRAFT CABLE LENGTH (PLEASE SPECIFY) FOR OVERALL LENGTH, PLEASE CONTACT YOUR EUREKA REPRESENTATIVE. |

MOUNTING MONTAGE

| | |
|-----|---|
| RC2 | ROUND SURFACE SCREWLESS CANOPY 9.4" FOR 90W ONLY (24751) |
| RC3 | ROUND SURFACE SCREWLESS CANOPY 4.6" FOR REMOTE DRIVER BOX 12"X16" (2471C) (PAIR WITH ACCESSORY 3981GA OR 3981GB) |
| RC4 | ROUND SURFACE SCREWLESS CANOPY 12" FOR 180W OR 360W (24771) |

MOUNTING CABLE OPTION OPTION DE MONTAGE DE CÂBLE

| | |
|-----|---|
| RCC | FLOATING CANOPY - STRAIGHT AIRCRAFT CABLES IF NO OPTION IS SELECTED, A CANOPY AT CORNERS OF THE FIXTURE WITH AIRCRAFT CABLES IS STANDARD |
|-----|---|

CANOPY & GRIPPERS FINISH FINI PAVILLON ET ATTACHES

| | |
|------|--------------------|
| BLKE | BLACK FINE TEXTURE |
| WHE | WHITE FINE TEXTURE |

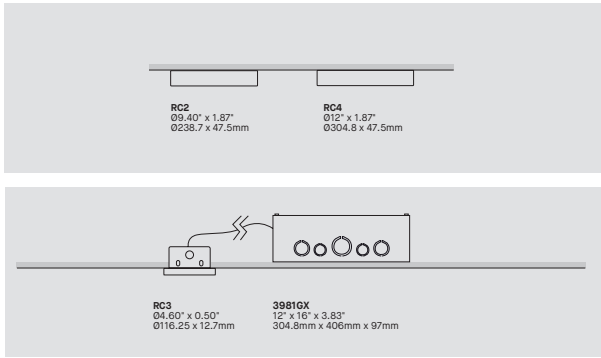
POWER CORD FINISH FINI CÂBLE D'ALIMENTATION

| | |
|-----|------------------|
| BLK | BLACK POWER CORD |
| WH | WHITE POWER CORD |
| CLR | CLEAR POWER CORD |

FRAME FINISH FINI DU CADRE

| | |
|------|--------------------|
| BLKE | BLACK FINE TEXTURE |
| WHE | WHITE FINE TEXTURE |

MOUNTING OPTION OPTION DE MONTAGE



ACCESSORY ACCESSOIRE

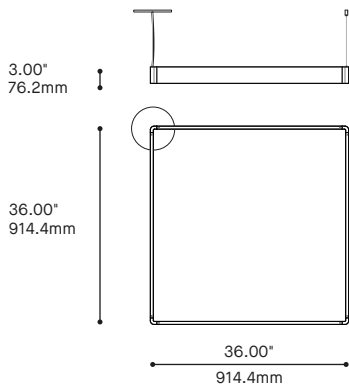
- 3981GA** 1 REMOTE DRIVER BOX 12"X16" FOR MOUNTING RC3 FOR DC LOAD 90W
- 3981GB** 1 REMOTE DRIVER BOX 12"X16" FOR MOUNTING RC3 FOR DC LOAD 180W
- 3981GB2** 2 REMOTE DRIVER BOXES 12"X16" FOR MOUNTING RC3 FOR DC LOAD 360W
- 3981GB3** 3 REMOTE DRIVER BOXES 12"X16" FOR MOUNTING RC3 FOR DC LOAD 540W
- 3981GB4** 4 REMOTE DRIVER BOXES 12"X16" FOR MOUNTING RC3 FOR DC LOAD 720W
- 39NLAA*** NLIGHT AIR GEN 2 REMOTE CONTROLLER (NOT AVAILABLE WITH MOUNTING OPTION RC3)
- 39NLWA*** NLIGHT WIRED REMOTE CONTROLLER (NOT AVAILABLE WITH MOUNTING OPTION RC3)

* FOR CHICAGO PLENUM INSTALLATION, PLEASE CONTACT YOUR EUREKA REPRESENTATIVE

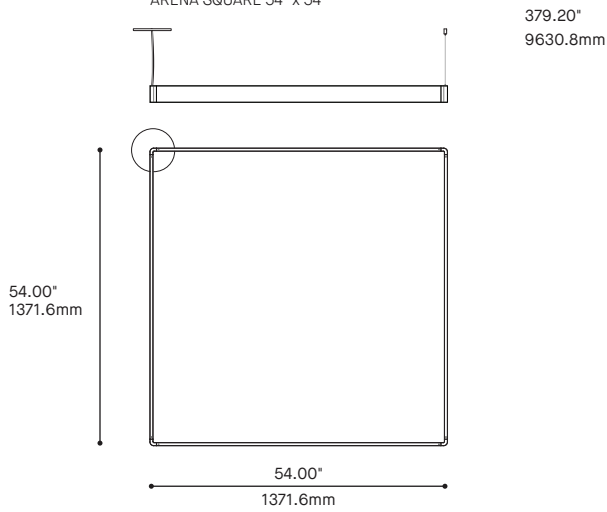
ARENA SQUARE 8220

CONFIGURATIONS

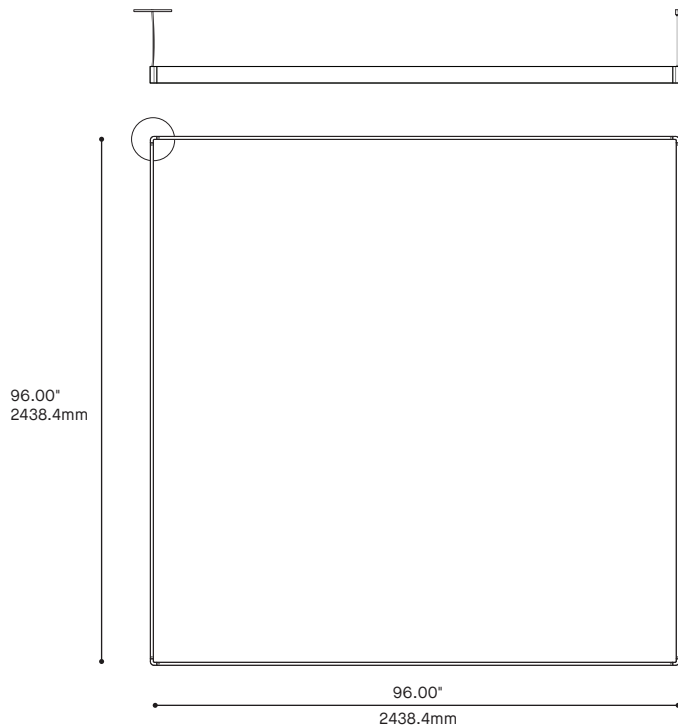
8220-36X36
ARENA SQUARE 36" x 36"



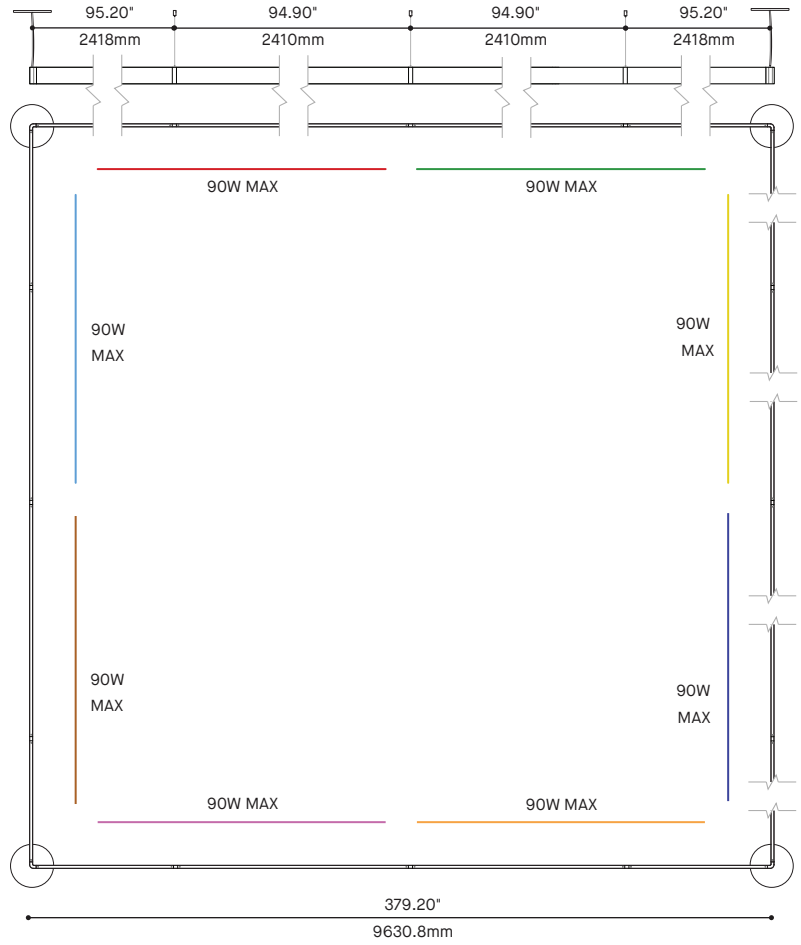
8220-54X54
ARENA SQUARE 54" x 54"



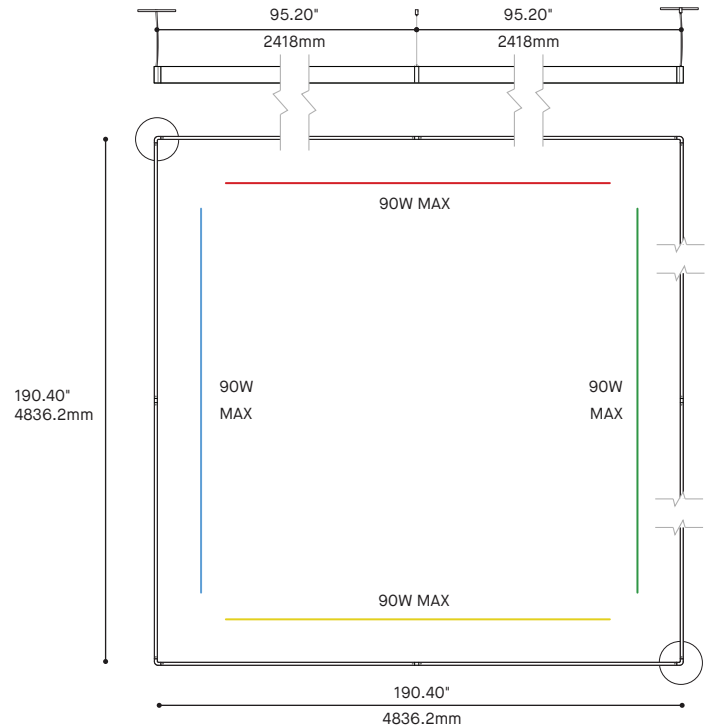
8220-96X96
ARENA SQUARE 96" x 96"



8220-380X380
ARENA SQUARE 380" x 380"

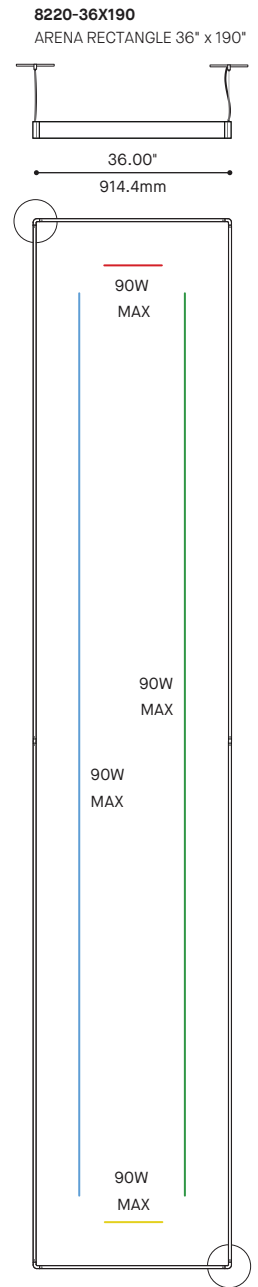
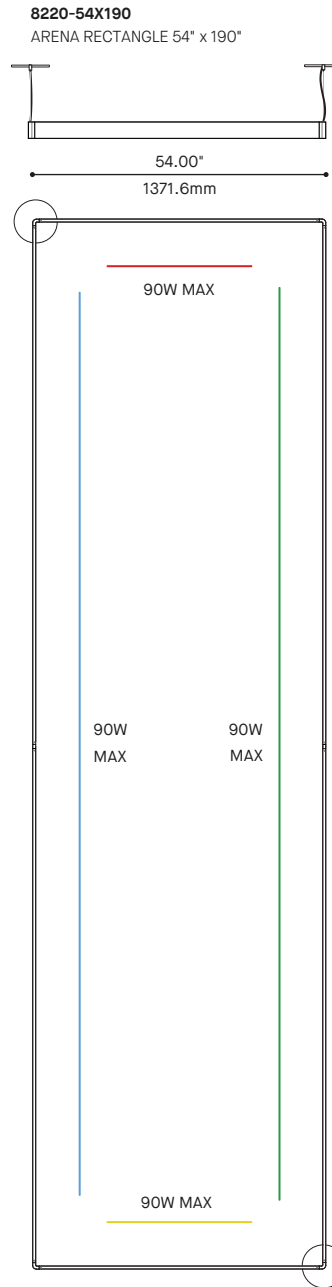
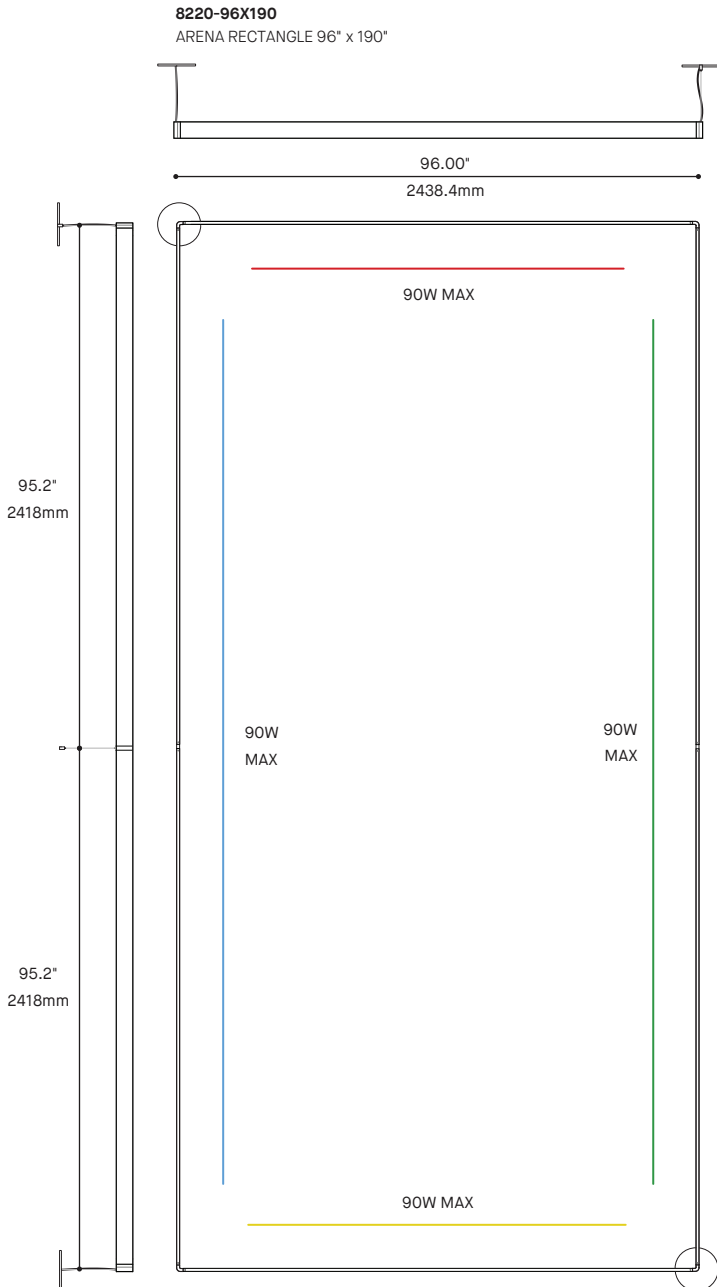
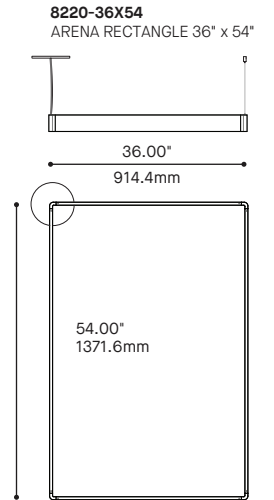
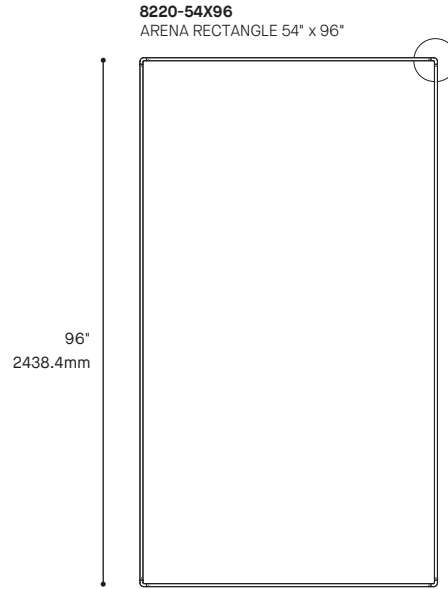
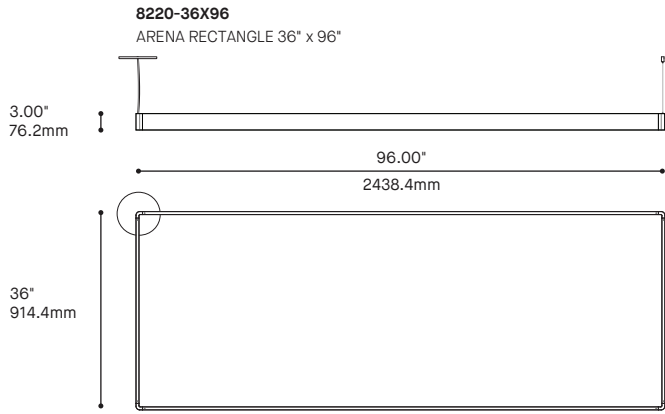


8220-190X190
ARENA SQUARE 190" x 190"



ARENA RECTANGLE 8220 1/2

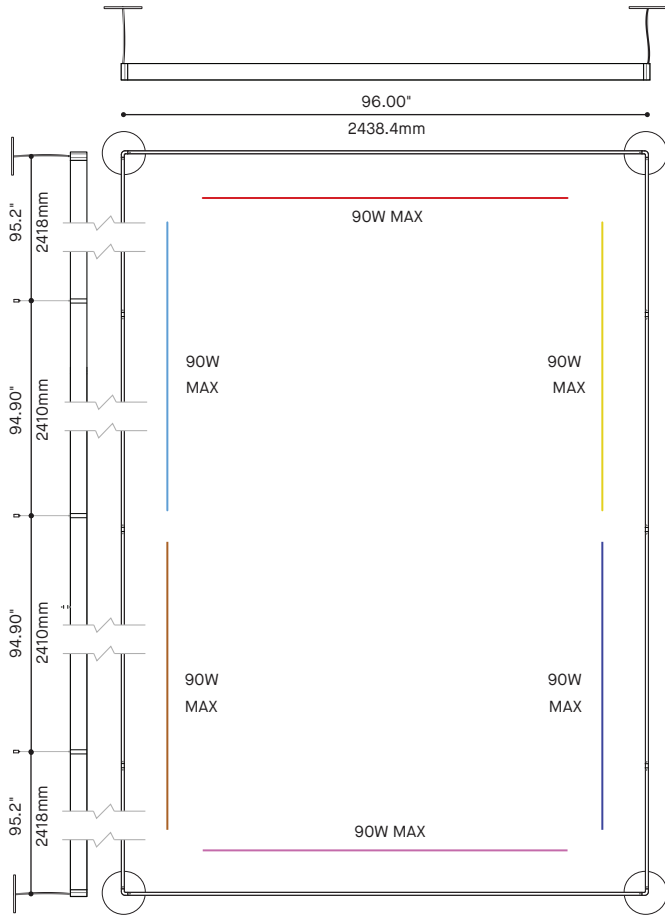
CONFIGURATIONS



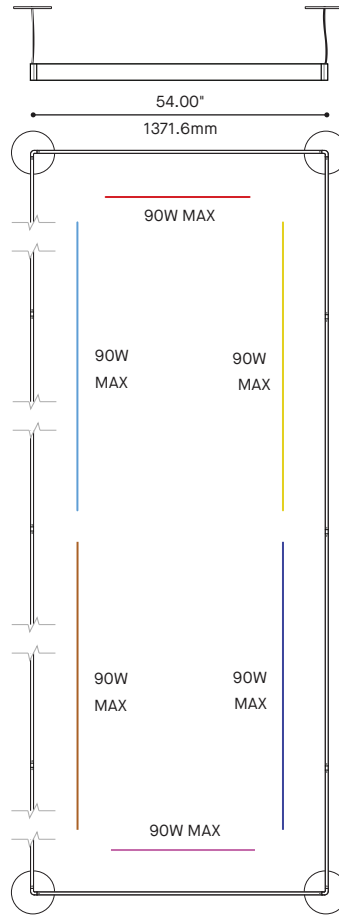
ARENA RECTANGLE 8220 2/2

CONFIGURATIONS

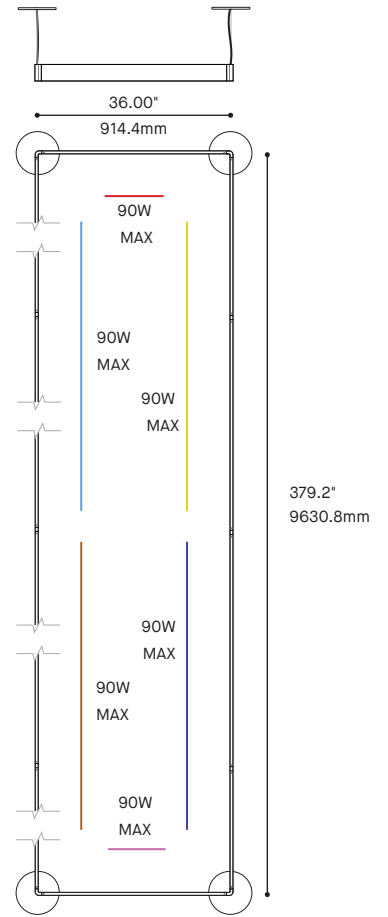
8220-96X380
ARENA SQUARE 96" x 380"



8220-54X380
ARENA RECTANGLE 54" x 380"



8220-36X380
ARENA RECTANGLE 36" x 380"



8220-190X380
ARENA RECTANGLE 190" x 380"

